

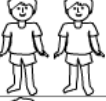




Pictograph





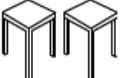
Q1

Answer :

| Day | Number of absentees |
|-----------|--|
| Monday |  |
| Tuesday |  |
| Wednesday |  |
| Thursday |  |
| Friday |  |

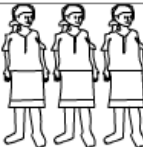



Q2

Answer :

| Room Number | Number of stools |
|-------------|---|
| I |  |
| II |  |
| III |  |
| IV |  |
| V |  |

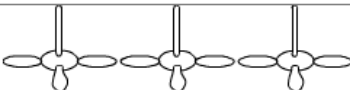
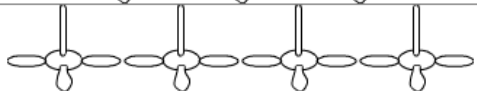

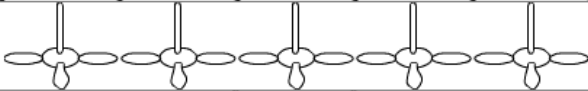
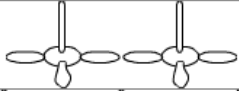
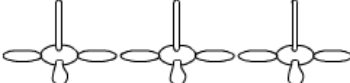
Q3

Answer :

| Subject | Number of students passed |
|-------------|---|
| English |  |
| Mathematics |  |
| Hindi |  |
| Drawing |  |

Q4

Answer :

| Month | Number of fans sold |
|--------|--|
| March |  |
| April |  |
| May |  |
| June |  |
| July |  |
| August |  |